



Your benefits

- Lightweight and compact reflector lamps with ECG
- Specifically designed for small and light-weight moving heads
- Based on proven P-VIP technology with optimized burner for every operating position
- High luminance through very short arc and high pressure
- Bright light for brilliant light effects
- Long lifetime
- Easy lamp replacement
- Stable light output over the entire lifetime



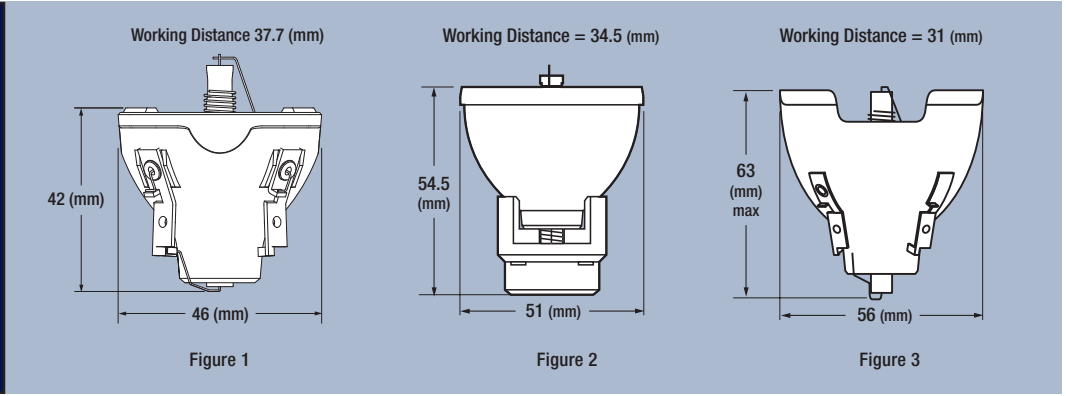
SIRIUS HRI®

Compact reflector lamps with high light output for spectacular light effects – developed for small moving head fixtures.

SEE THE WORLD IN A NEW LIGHT

OSRAM





SIRIUS HRI®

| Product Description | Figure | Watts (W) | Reflector | Electrode Gap (cold) (mm) | Working Distance (mm) | Lumens (lm) 5x3.8mm Aperature | Color Temp. (K) | CRI | Avg. Rated Life (hrs) | Operating Position |
|---------------------|--------|-----------|-----------|---------------------------|-----------------------|-------------------------------|-----------------|-----|-----------------------|--------------------|
| SIRIUS HRI 132W | 1 | 132 | E19 | 1 | 37.7 | 5150 | 9200 | 60 | 6000 | Any |
| SIRIUS HRI 190W+ | 2 | 190 | E20.6 | 0.8 | 34.5 | 8100 | 8200 | 73 | 3000 | Any |
| SIRIUS HRI 230W | 2 | 230 | E20.6 | 1 | 34.5 | 9500 | 8000 | 75 | 2500 | Any |
| SIRIUS HRI 280W | 2 | 280 | E20.6 | 0.9 | 34.5 | 11500 | 7800 | 78 | 2000 | Any |
| SIRIUS HRI 330W | 3 | 330 | E21.8s | 1 | 31 | 15000 | 7400 | 86 | 1500 | Any |
| SIRIUS HRI 330W XL | 3 | 330 | E21.8 | 1.3 | 36 | 12000 | 7250 | 71 | 1500 | Any |

Today more than ever, outstanding stage shows come to life through breathtaking light effects. Therefore, the applied light sources have to provide an especially high brightness. With the high-performance SIRIUS HRI® lamps, OSRAM has developed reflector lamps which play to their strength, especially in small and lightweight moving heads. They are characterized by high luminance, reduced weight and very compact dimensions. The lamps are based on the approved P-VIP technology, but they have an optimized burner for every operating position. Moreover, they show a very stable light output, as the high luminance decreases only slightly over the entire lifetime of more than 2,000 hours on average.

The special reflector design allows for an easy and fast lamp replacement, as the burner is already perfectly adjusted within the reflector. SIRIUS HRI® is available with 132W, 190W, 230W, 280W and 330W and is supplied as a complete system including ECG. Combining reliability, efficiency and luminance, the lamps can be used in various applications of entertainment lighting.

SEE THE WORLD IN A NEW LIGHT



SIRIUS HRI and OSRAM are registered trademarks of OSRAM GmbH.
SEE THE WORLD IN A NEW LIGHT is a trademark of OSRAM SYLVANIA Inc.

Distributor:



Phone: 407-857-8770
Fax: 407-857-8771
Email: sales@techni-lux.com

102S002US 8-13 Pa OSRAM CRM MK OSRAM does not accept liability for errors, changes and omissions.