

# mSculpt 20 LED Profile



## Product Features:

LED Gobo Image Projector Ellipsoidal ERS

Rotating barrel with 4 shutter shaping blades

High CRI White or RGBW

Integral DMX system, with a settable variety of internal modes and DMX address

Variety of optical lenses to optimize beam output

Digital display for settings

IP20 rated, applicable for indoor areas

UL Listed (PSU only), CE and RoHS certified

Robust ABS Plastic and die-cast anodized aluminum housing

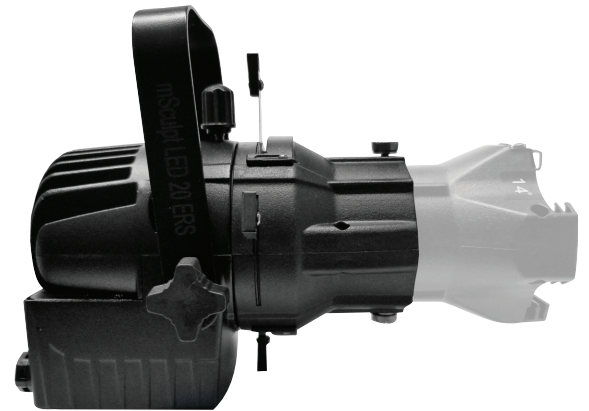
Mounting yoke for easy focus and installation

# Product Specifications

	TH-SCLPM20WW/B	TH-SCLPM20QW/B	
<b>OPTICAL</b>	Light Source	20w COB 3000k Warm White LED	20w COB RGBW (red, green, blue, white) LED
	Color Rendering	CRI: >93	--
	Gobo Size	E Standard	
	Barrell Rotation	+/- 45°	
	Dimming	0 - 100% linear	
	Beam Angle	14° / 19° / 26° / 36° (Required Option, Sold Separately)	
	Average Life	50,000 hrs	



<b>ELECTRICAL</b>	Input Voltage	12vDC, with PSU 100-240vAC 50/60hz	
	Frequency	50-60 Hz	
	Power Consumption	22 W	
	Current Draw	2.0 Amps	
	Data Connection	DMX in/out via 5pin XLR	
	Data Control	DMX 512	
	DMX Channels	2	8
	Settings	4 digit display with 3 button menu	



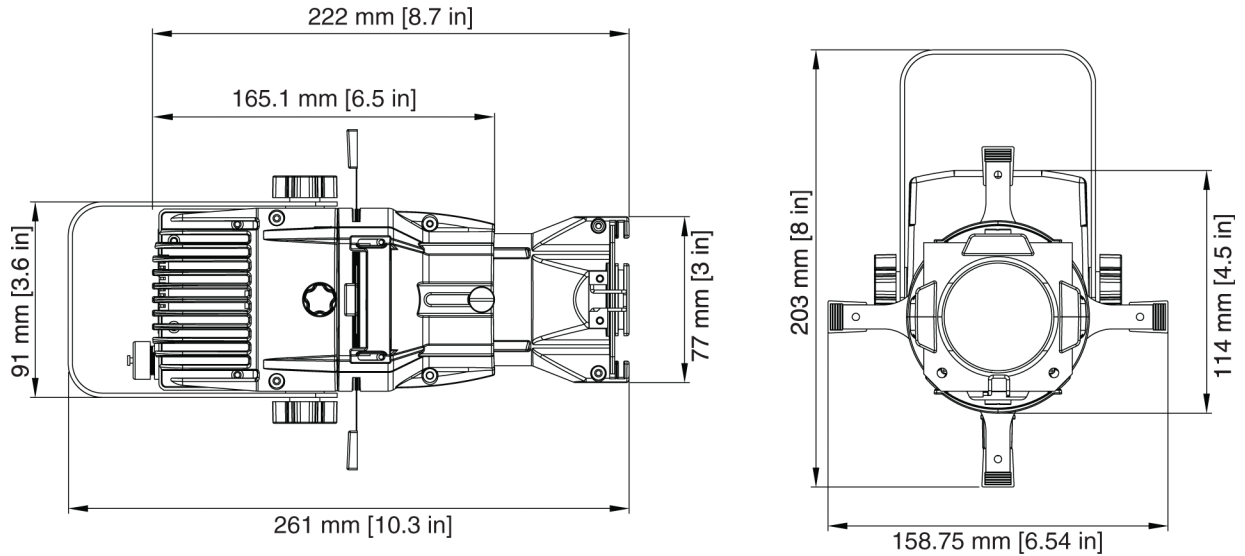
<b>PHYSICAL</b>	Length	6.25 in	
	Width	4.5 in	
	Height	6.5 in	
	Weight	1.02 kgs / 2.25 lbs without lens	
	Housing	Aluminum and plastic	
	Hardware	Steel	
	Shaping blades/shutters	4	
	U Bracket	Adjustable mounting yoke with 3/8 inch hole	
	Finish Color	Black (standard)	



<b>OTHERS</b>	Insulation Rating	IP20	
	Cooling	Heat Sink	
	Installation Method	U-Bracket (Yoke) Mount	
	Certification	CE / UL power supply	
	Warranty	2 years	

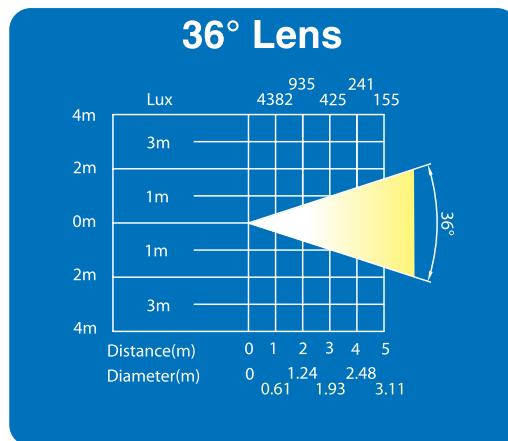
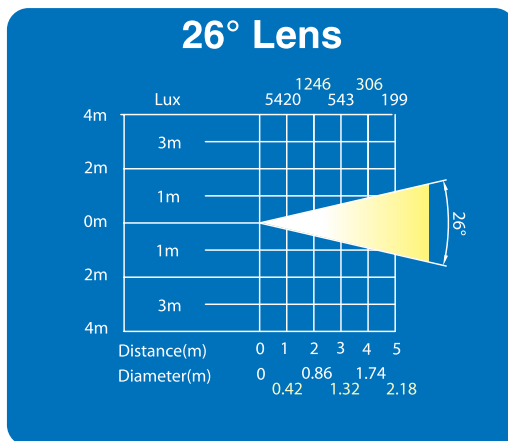
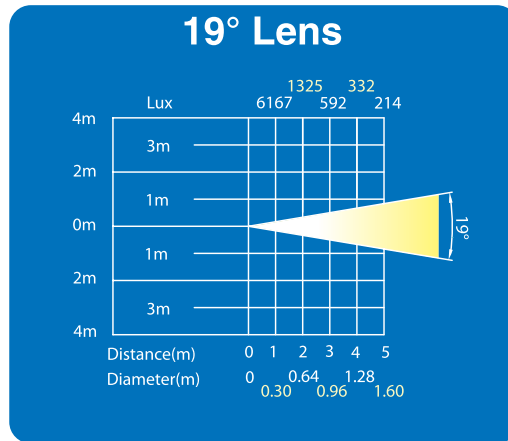
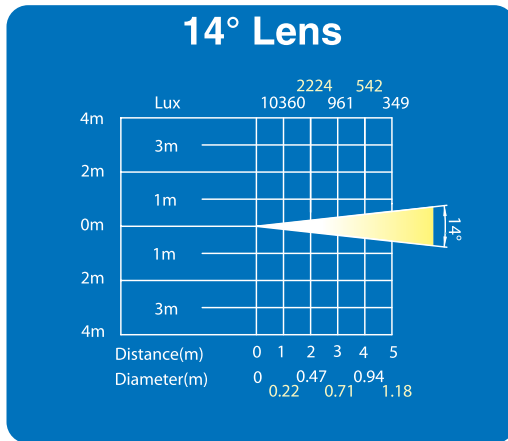


# Line Drawing




# Photometrics

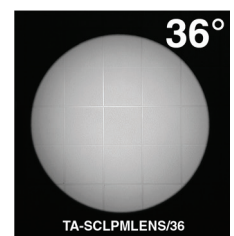
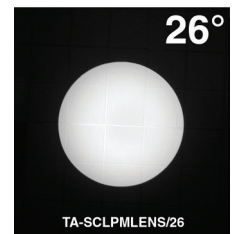
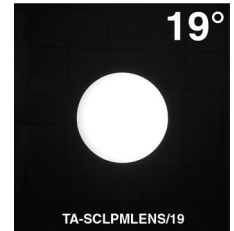
Based on TH-SCLPM20WW/B unit with a warm white 3000k LED engine.




# Optional Accessories

Optional lenses for TH-SCLPM20QW/B and TH-SCLPM20WW/B, unit requires one, sold separately

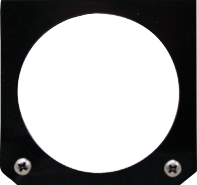
	Product Code	Specifications
		Standard resolution • Glass lenses • Lightweight plastic housing tube design for LED fixtures only • Dual Filter Dual Filter Frame holding slots 2-3/4 x 2-3/4 inch • Locking frame spring clip • Size: 4 x 3 x 3 inch • Color: Black
	TA-SCLPMLENS/14	mSculpt Profile Standard Lens Tube 14 degrees Weight: 0.15 kgs/ 0.33 lbs
	TA-SCLPMLENS/19	mSculpt Profile Standard Lens Tube 19 degrees Weight: 0.13 kgs/ 0.28 lbs
	TA-SCLPMLENS/26	mSculpt Profile Standard Lens Tube 26 degrees Weight: 0.13 kgs/ 0.28 lbs
	TA-SCLPMLENS/36	mSculpt Profile Standard Lens Tube 36 degrees Weight: 0.13 kgs/ 0.28 lbs



## GOBO HOLDER

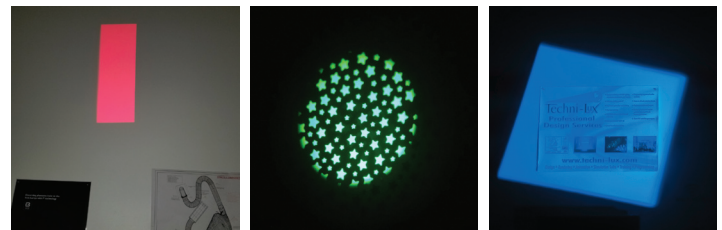
	Product Code	Specifications
	GH-MSCLPM/E	Sandwich type Gobo Holder with plastic handle that allows metal patterns to be held in the appropriate slot of an mSculpt 20 series light fixture. Size E Gobo open area: 30 mm, overall holder width 44 mm • Size: 1-3/4 x 4 x 5/8 inch • Weight: 0.011kgs / 0.025Lbs • Material: Aluminum • Color: Black

## COLOR FRAME

	Product Code	Specifications
	TA-FRAMESCLP268	The color/gel/filter frame holder is fabricated from aluminum. Fits mSculpt series LED profiles with lens tube. Color Frame 2.68 x 2.68 inch Square with 2.1875 inch center hole aperture • Color: Black



TH-SCLPM20WW/B



TH-SCLPM20QW/B



10900 Palmbay Drive, Orlando, FL 32824 U.S.A.  
Phone: 407-857-8770 Fax: 407-857-8771  
www.techni-lux.com

10/21/20